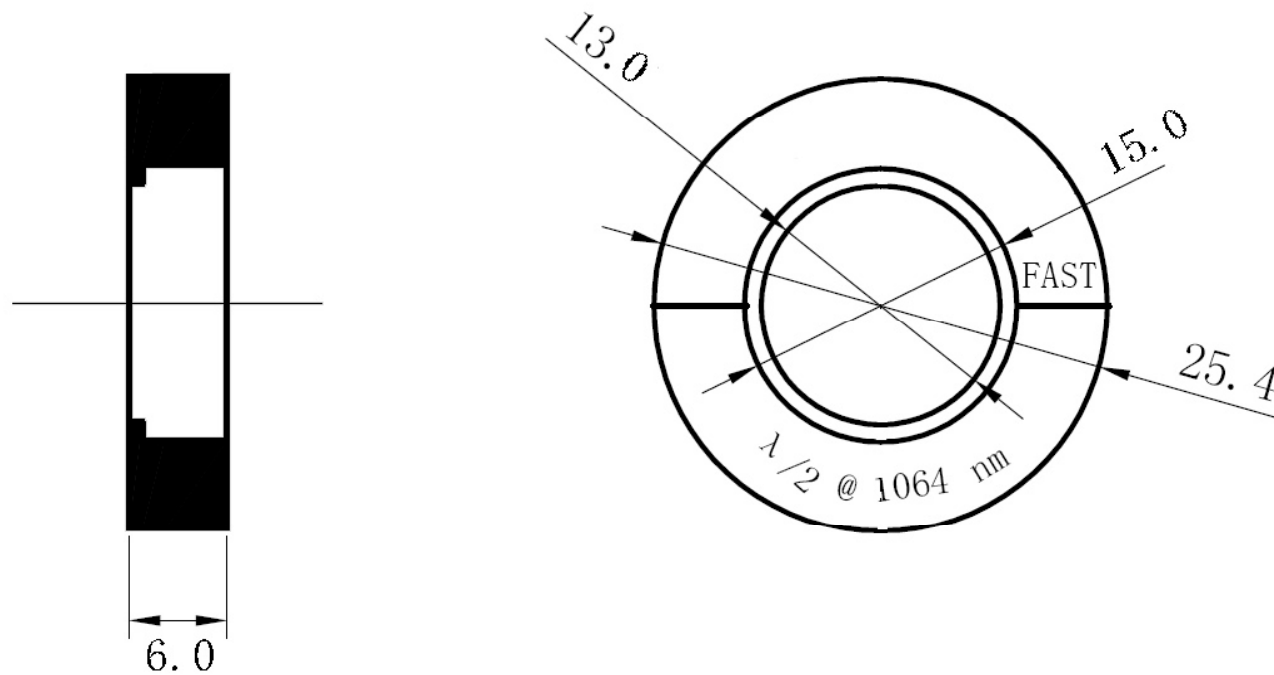


True Zero-order Waveplate with Diameter 15.0mm Mounted in 1" (25.4mm) Holder
(Part #: WPS03-H-1064)



FOR INFORMATION ONLY
NOT FOR MANUFACTURING PURPOSES